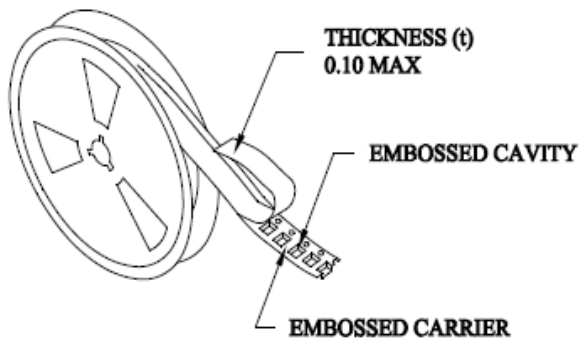
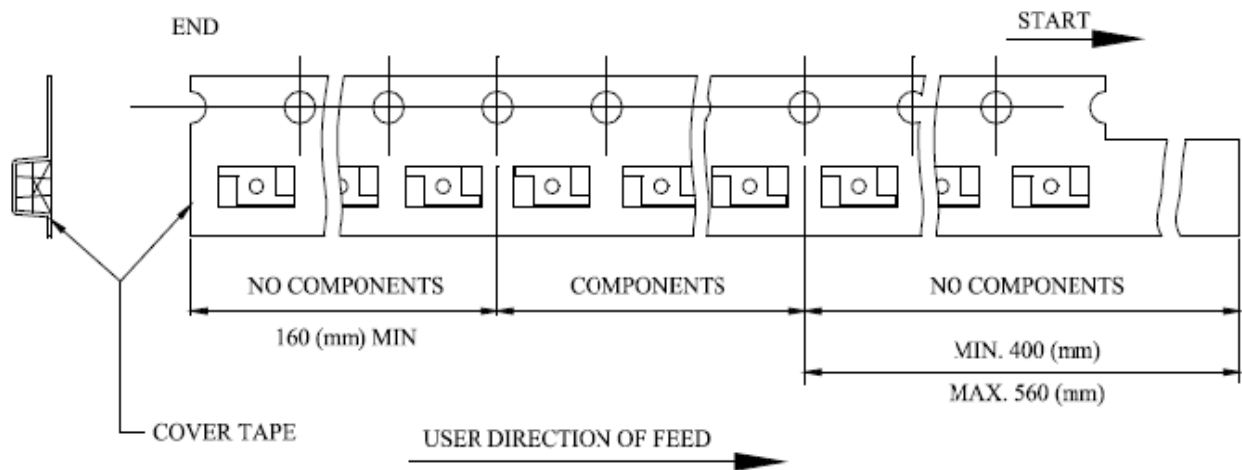
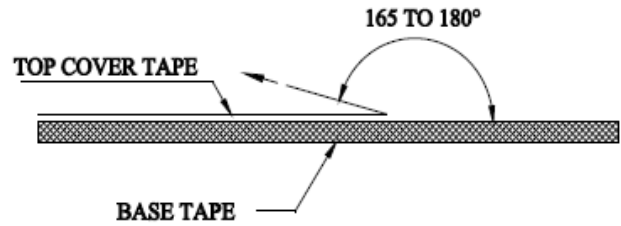


## Packaging Information

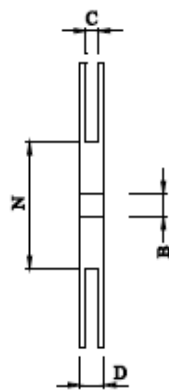
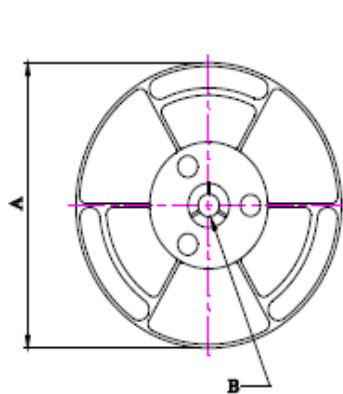


- THE FORCE FOR TEARING OFF COVER TAPE IS 10 TO 130 GRAMS IN THE ARROW DIRECTION.

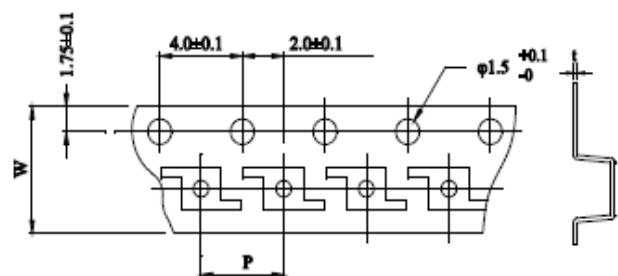


### ■ CARRIER TAPE REELS (mm)

MATERIAL: PLASTIC



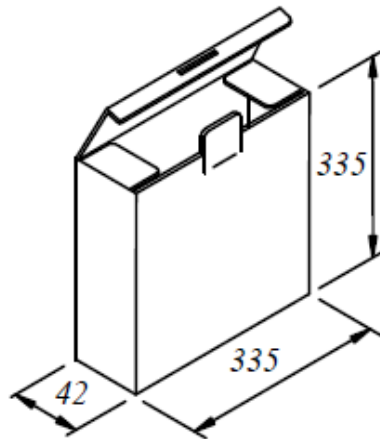
### ■ DIMENSIONS OF CARRIER TAPE (mm)



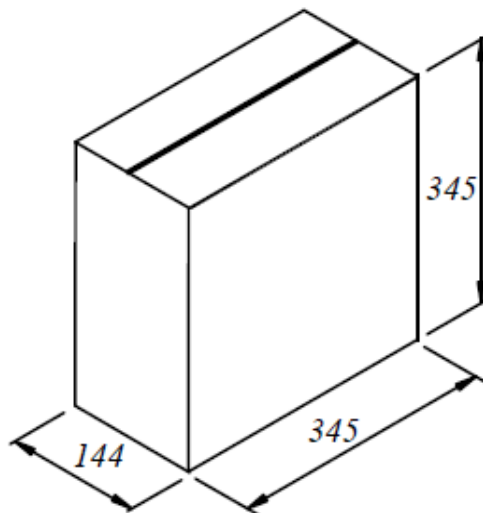
UNIT : mm

|      | A   | B        | C    | D    | N    | P     | W     | t     |
|------|-----|----------|------|------|------|-------|-------|-------|
| DIM. | 360 | 13.0     | 12.4 | 18.4 | 75   | 8.00  | 12.00 | 0.3   |
| TOL. | MAX | +0.5-0.2 | +2-0 | MAX  | MIN. | ±0.10 | ±0.30 | ±0.05 |

UNIT : mm



- CONSTRUCTION:  
THE CASE CONTAINS 2-12mm WIDE CARRIER TAPES.  
Q'TY : 3,000/ REEL



TOTAL QTY : 18,000 PCS